

DUAL ANGLE STOP MULTI TURN



TECHNICAL DATA

DESCRIPTION:
 3/8" O.D. Comp. X 3/8" O.D. Comp Outlet X 1/2" PEX Inlet Dual Angle Stop Multi Turn

CONSTRUCTION:
 Solid Brass Body and Plastic Stem, Plastic Handle, Rubber Washer

FINISH:
 Chrome Plated finish

CODE APPROVALS:
 UPC approved. Complies w/ NSF-61

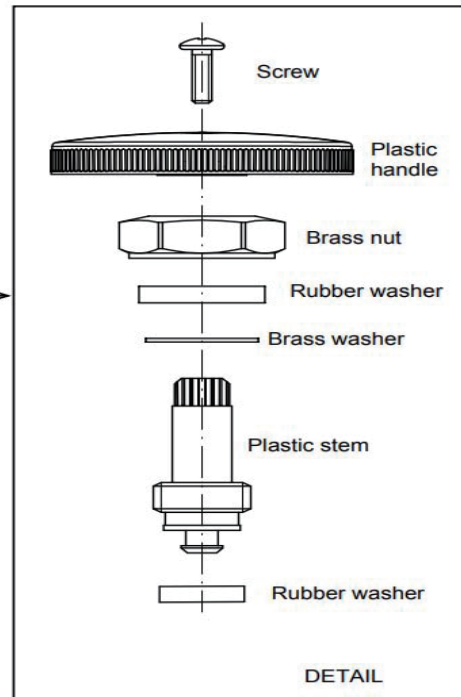
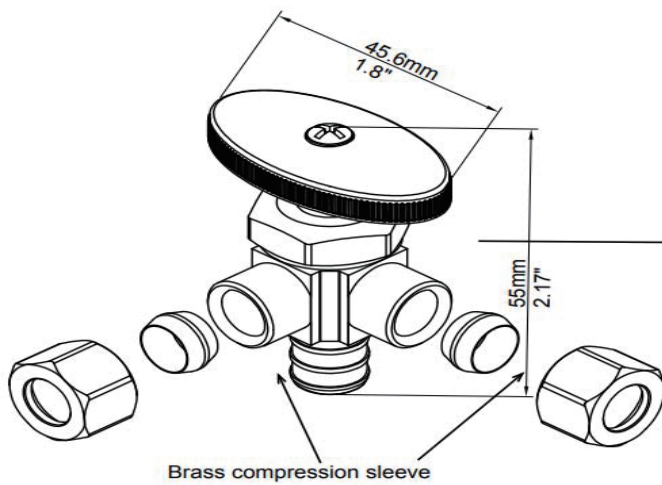
PACKAGING:
 Color Box w/ Barcode
 Inner carton: 20
 Master carton: 80

PART#	DESCRIPTION	FINISH
DAS-PEX-MT	3/8"OD Comp. X 3/8" OD COMP. X 1/2" PEX	Chrome



Country of origin: China

ROUGH IN DRAWING



ALL DIMENSIONS SHOWN ARE NOMINAL

Meets requirements for NSF-61
 Approved